



# LEPUS RACK INDUSTRIAL FAST

Gear rack sliding motor in **oil bath** for gate up to **3800 Lbs**  
**HEAVY DUTY APPLICATIONS FOR INDUSTRIAL USE**



- Speed adjustable up to 1<sup>1/2</sup> Ft/sec
- Absolute Encoder RT
- Ramps of acceleration and deceleration adjustable



Release system through robust aluminium lever and metal lock performance



Internal photo



Pinion Z20 module 4

- Gear motor for intensive use up to 3800 Lbs max weight for heavy duty applications
- Operator equipped with UNIGATE inverter control unit
- Complete lubrication of motor and all mechanical components
- Mechanical twin disk clutch for a sensitive regulation of the motor torque
- Motor-reducer equipped with mechanical limit switch
- Manual Release with key for safety
- Standard POSITION GATE RT Absolute Encoder**

SPECIFICATIONS	LEPUS RACK INDUSTRIAL
Power supply	120 V (±5%) 50/60 Hz
Power	1/3 HP
Absorbed current	3 A
Use rate	90 %
Max gate weight	3800 Lbs
Max gate opening	40 Ft
Encoder	Absolute Encoder RT
Operating temperatures	from -4°F to 131°F
Operator weight	40 Lbs
Protection class	IP 55
Speed	up to 1 <sup>1/2</sup> Ft/sec

# UNIGATE - I

## *INVERTER technology*

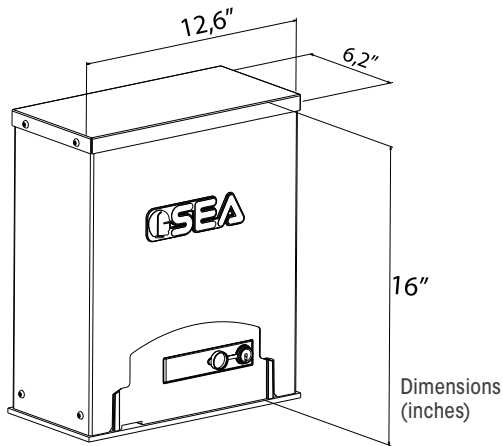


### UNIGATE 2I (INVERTER)

- Digital control unit with LCD display
- Adjustable speed through ramps
- Adjustable acceleration/deceleration through ramps
- Continuous motor cycles because it does not heat up
- High strength in slowdown
- Possibility to manage obstacle reverse

#### Integrated functions on the UNIGATE INVERTER

- 2 relay contacts
- 2 programmable GPIO outputs
- LE card on board for potentiometer
- Relay card on board
- PROBE heater card on board
- Management of two FV inverters for 2 motors or 2 PM modules for 4 motors
- Timer on board with buffer battery and management of 2 time bands
- 2 Ah switching transformer of which about 1,3Ah free for other accessories



## Advantages:

- + Duty cycles
- + Torque
- + Speed (adjustable)
- + one model 90V to 265V

### ACCESSORIES



Yellow oil in 1 quarter bottle



PZ 13 Pinion Z13 double for module 4



RACKZ Metal rack 3.28 Ft

#### PACKAGE LEPUS RACK INDUSTRIAL

**N.1 LEPUS RACK INDUSTRIAL with UNIGATE control board**

**N.1 Receiver**

**N.1 Remote control 433 Mhz**

**N.1 Foundation plate**

**N.1 Installation accessories Kit**

**N.1 Installation instructions and general notice**

**N.1 Warning signboard**

**1 pc Pallet 14x8x 18 H inches - 40 Lbs**

**30 pcs for pallet**